



**AQUATEX CDT** high performance construction dewatering pumps can take on the toughest sites by virtue of their rugged cast iron construction and superior design.

### APPLICATIONS

- Removing highly abrasive sand laden water from mines and construction sites.
- Removing commercial and industrial waste water.
- Effluent water transfer.

### FEATURES

- High discharge rate.
- Rugged cast iron construction for heavy duty applications.
- Flow of water from the top of the motor cools the motor efficiently and allows for installation in confined spaces.

#### Rugged construction

Wear resistant, high-chrome, iron impeller with ductile iron wear plate.

#### Efficient Cooling

Flow of water from the top of the motor cools the motor efficiently and allows for installation in confined spaces.

#### Anti-wicking cable entry

Anti-wicking cable connectors prevent water from entering the motor through the cable wires / leads.

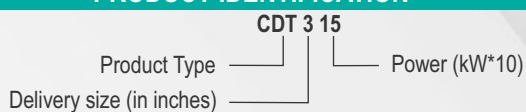
#### Durability

- Dual silicon carbide mechanical seals ensure durability.
- Oil lifters extend the life of the mechanical seals by providing efficient lubrication and cooling.
- Double shielded, permanently lubricated, high temperature, deep groove, ball bearings extend operational life.
- Built in thermal overload protector prevents motor failure due to overloading / locked motor.

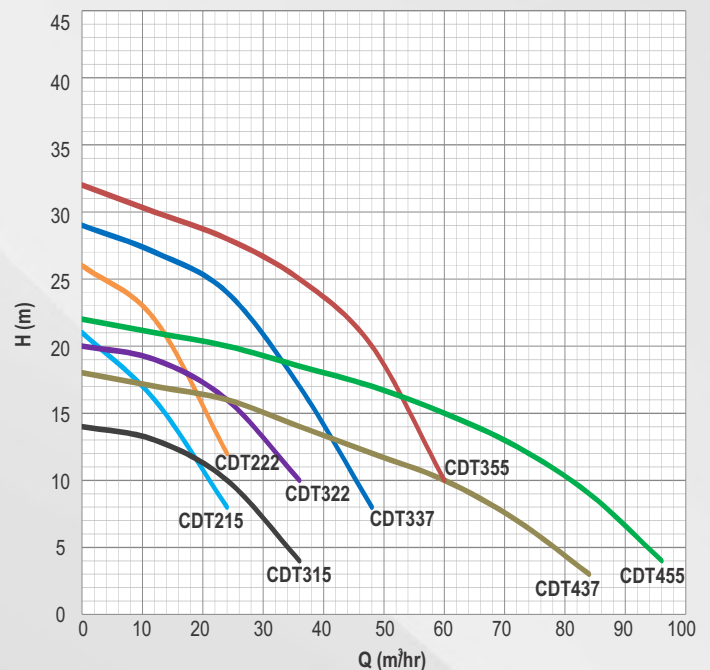
### PRODUCT DATA

- Power range : 2HP to 7.5HP, Three Phase, 380V, 50Hz
- Head range : Upto 40m
- Discharge range : Upto 96m<sup>3</sup>/hr
- Solid handling size : Max 8.5mm
- Delivery size : 50mm, 80mm and 100mm

### PRODUCT IDENTIFICATION



### PERFORMANCE CURVE

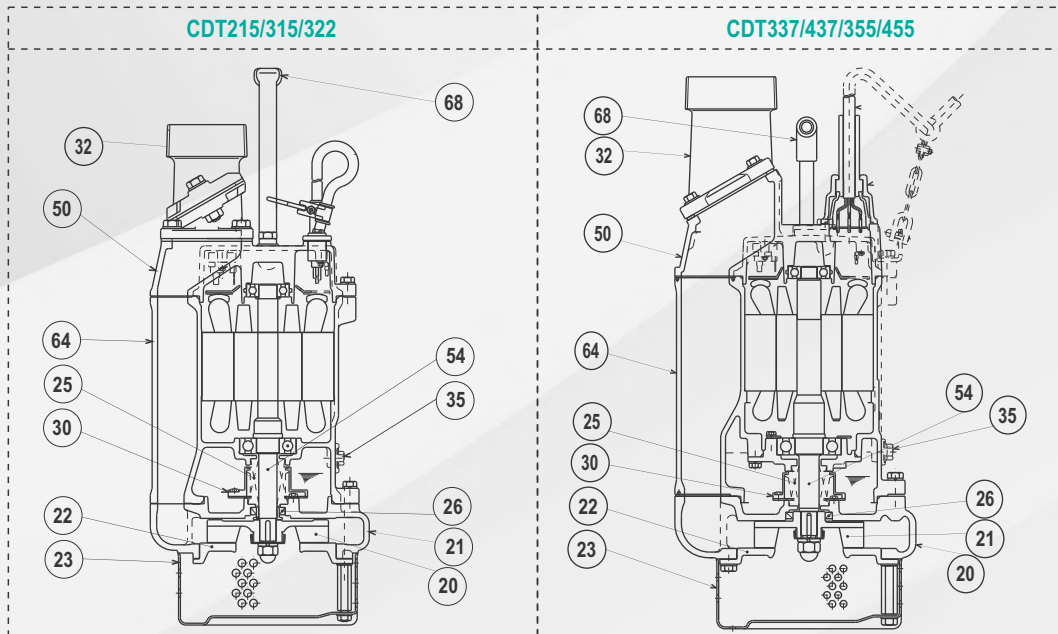


# CDT Series

Three Phase Submersible Construction Dewatering Pumps



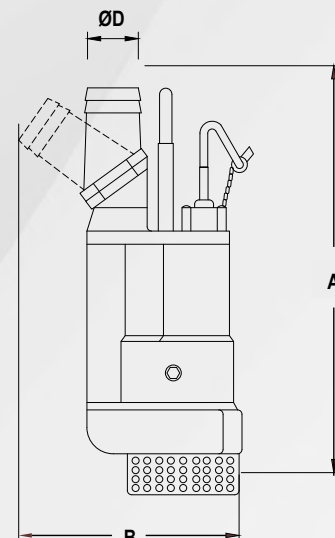
## MATERIALS OF CONSTRUCTION



Part No.	Component	Material	Component	Material
20	Pump Casing	CI	Pump Casing	CI
21	Impeller	High Chrome CI	Impeller	High Chrome CI
22	Suction Cover	Ductile CI	Suction Cover	Ductile CI
23	Suction Strainer	Steel + Carbon Steel Pipe	Suction Strainer	Steel + Carbon Steel Pipe
25	Mechanical Seal	Silicon Carbide	Mechanical Seal	Silicon Carbide
26	Oil Seal	Nitrile Rubber	Oil Seal	Nitrile Rubber
30	Oil Lifter	Resin	Oil Lifter	Resin
32	Hose Coupling	CI	Hose Coupling	CI
35	Oil Plug	SS, AISI 304	Oil Plug	SS, AISI 304
50	Motor Head Cover	CI	Motor Head Cover	CI
54	Shaft	SS, AISI 420	Shaft	SS, AISI 420
64	Motor Housing	CI	Motor Housing	CI
68	Handle	Steel + Nitrile Rubber	Handle	Steel + Nitrile Rubber

## DIMENSIONS AND WEIGHT

Pump Type	Power		Dimensions (in mm)			Max. solid size mm	Weight kg	Continuous running water level mm
	HP	kW	A	B	øD			
CDT215	2.0	1.5	548	270	50	8.5	34	120
CDT315	2.0	1.5	548	276	80	8.5	33	120
CDT222	3.0	2.2	568	270	50	8.5	35	120
CDT322	3.0	2.2	568	276	80	8.5	34	120
CDT337	5.0	3.7	675	347	80	8.5	60	150
CDT437	5.0	3.7	690	367	100	8.5	60	150
CDT355	7.5	5.5	715	358	80	8.5	74	150
CDT455	7.5	5.5	734	377	100	8.5	74	150



Due to continuous improvements, specifications may change without notice

[www.aquagroup.in](http://www.aquagroup.in)